

# VT-1

## UNDERWATER VIBROCORER (VIBROTORSIONAL)

110 volts AC, 50-60 Hz, 1-Phase, 12 Amps, .....\$24,750.00

**Includes:** pressure-housed vibrohead with terminal power cable section, 4.0" (or 100mm) coretube clamp, water stop valve and control-box with initial power cable connections.

UNDERWATER  
VIBROCORING

SELECTING A  
VIBROCORER

CORETUBES,  
LINERS, & CORE  
RETENSION

BUOYANT-FRAME  
vs RIGID FRAME

SPECIFICATIONS

OPERATIONS  
FURTHER NOTES



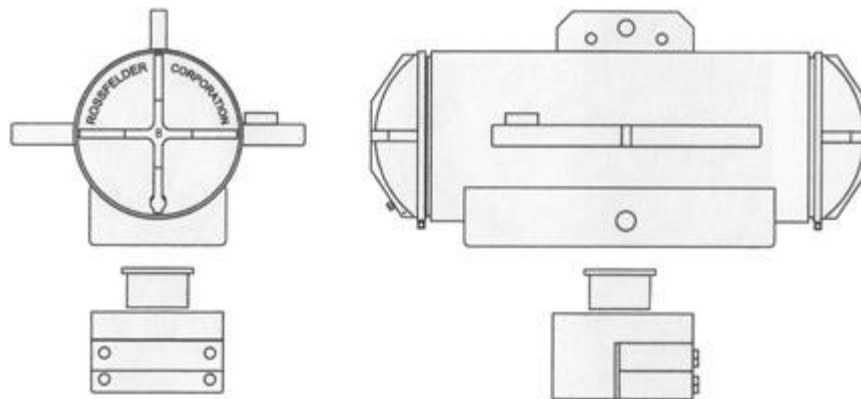
## BUOYANCY FRAME SYSTEM.....\$4,100.00

**Includes:** weightstand, "200-fathom" float package, guidelines and runners for buoyant-frame mode operation. Does not include: upper beam and rigid-frame legs, ballasting material for weightstand.

**WORKING DEPTH** is **1,650 m (5,000 ft)** for the Vibrohead and **400 m (1,200 ft)** for the standard "200- fathom" Float Package accompanying the Buoyancy frame system. Floats rated to 500 m and to 800 m are available on special request.

\* See Parts & Accessories for underwater power cables, generators and conenoses.

All prices FOB, San Diego California USA.



Length = 24 in

Width = 14 in

Height = 11 in

[ back ]

PO Box 1030, Poway CA 92074-1030

Phone: 858-679-7361

Fax: 858-679-7491